



2023 JEEP® PERFORMANCE PARTS CATALOG



IN A JEEP® VEHICLE, THE JOURNEY IS THE DESTINATION.

A winding, rocky, treacherous journey that only the toughest of the tough can handle. And for those looking to explore that path rarely traveled, we can help you get there.



BUILD YOUR DREAMS 10

PERFORMANCE CHASSIS 20

2" Lift Kit* With FOX Shocks	22, 24
Tall Jack Base	23
4" Lift Kit* With FOX Shocks	24
Steering Dampers	25
Big Brake Kits	26

PERFORMANCE WHEELS & TIRE COMPONENTS 28

Performance Wheels	30
Beadlock-Capable Wheels*	31
Oversized Spare Tire Components	32

PERFORMANCE DRIVELINE COMPONENTS 34

Crate Axle Assemblies	36
Axle Components	38
Differential Covers	39

*Jeep, Performance Parts, including Lift Kits, are designated as "Off-Road Only" parts and have not been evaluated or tested for crashworthiness or compliance with safety standards. Jeep, Performance Parts noted as "Off-Road Only" are aftermarket only, may not be installed by a Chrysler, Dodge, Jeep, Ram or FIAT® dealer on a new vehicle, and may not be sold or financed in conjunction with the sale of a new vehicle. FCA US LLC does not authorize the installation of any part noted as "Off-Road Only" on any vehicle prior to its first retail sale.



OFF-ROAD ACCESSORIES 40

Bumpers	42
Winches and Accessories	46
Skid Plates	48
Windshield Accessories	50
LED Headlights & Fog Lights	51
Off-Road Lights* & Installation Kits	52
Rock Rails	54
Tube Steps	55
Fender Flares	57
Tube Door* Kits & Components	58
All-Weather Floor Mats	59
Vehicle Cab Covers	59

ENGINE COMPONENTS 60

Performance Intake Systems	62
Replacement Filters for Cold Air Intake Systems	63
Snorkel	64
Exhaust Systems	65

LIMITED WARRANTIES 66



JEEP® PERFORMANCE PARTS

Wide-Open Possibilities, Exceptional Durability, Original-Equipment Specs

When you're looking to maximize the no-excuses, rock-your-world experience – on-road or off – there's simply no better way to customize and accessorize your Jeep® vehicle than with Jeep® Performance Parts.

We affectionately refer to them as JPP, but they're Mopar® to the core. Mopar is Original Equipment (OE) for all FCA US Brand vehicles and the foundation of the company's worldwide parts and service enterprise. It means we understand a vehicle's original intent and have direct, exclusive access to a vehicle's specifications. It means we can design and test parts and accessories to the highest standards. For Jeep® Brand vehicle owners, it means Jeep® Performance Parts – built by us, easy to install, and a perfect match for your Jeep® vehicle. It just doesn't get any more original than this. Mopar means a pure Jeep® Brand experience.

JPP gear is a great mix of OE specs with generations of time-tested engineering expertise, pushed to the limit in real-life testing by people just like you – those with a relentless passion for taking a Jeep® vehicle to the next level, and the next adventure.





HOW IT ALL STARTED

Jeep® Performance Parts (JPP) became the best option for Jeep® vehicles by design. In 2012, the Mopar® and Jeep® Brands launched the Jeep® Performance Parts division to meet a specific need: delivering a cutting-edge portfolio of off-roading parts to cater to die-hard off-road enthusiasts. Who better to offer accessories for Jeep® vehicles than the people behind the Jeep® Brand itself?

As part of the Mopar® family, JPP uses specifically designed, built and quality-tested accessories to ensure serious off-roaders have access to high-end, hard-core quality Jeep® vehicle parts. The Mopar team's long and storied history of creating desirable high-end OE parts has earned them recognition with performance enthusiasts everywhere. And that's also true as they've produced a large portfolio of parts and accessories now bearing the JPP name.



WHERE YOU'LL FIND JPP TODAY

All around the globe, from fancy auto shows to bare-bones deserts to the unforgiving wilderness, Jeep® Performance Parts can be found just about everywhere performance enthusiasts gather and drive. Our one-of-a-kind JPP concept vehicles are designed and built in Detroit to inspire and generate feedback from our most loyal and passionate customers. JPP also displays concept cars at parts and accessories events throughout the year; in fact, our custom vehicles are so sought after, we even sponsor vehicle builds for various aftermarket suppliers and racers.



We do all this and more for the love of Jeep® vehicle drivers and their seemingly insatiable desire for powerful and truly functional parts and accessories. Our exceptional vehicle builds demonstrate to daily drivers, gearheads and off-road enthusiasts the possibilities of what Jeep® Performance Parts can do on both production and modified vehicles.

JPP. What's on your Jeep® vehicle?

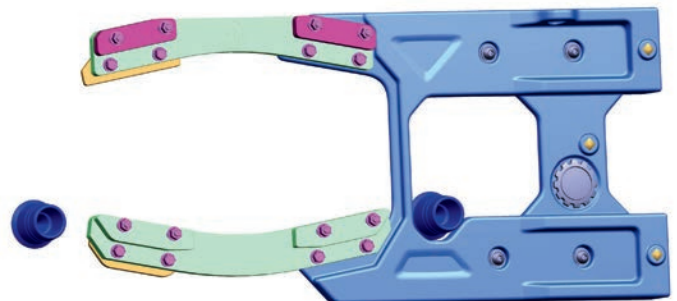
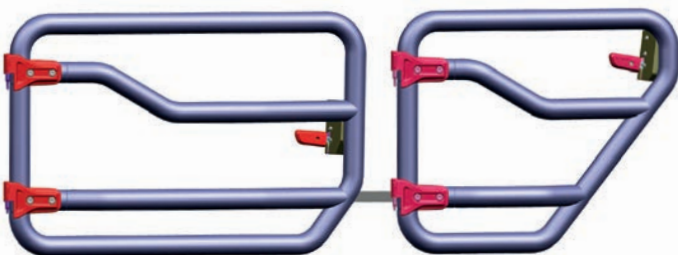


JUST WHEN WE THINK WE'RE DONE, WE TEST MORE.

Why are our standards so high?

Because we know when you're off the grid – hours past the end of the pavement and miles from the nearest cell tower – you want strong, reliable parts that can take you anywhere.

That's why we conduct such a rigorous testing process. From computer-aided engineering to computer modeling to endless lab testing, we use every state-of-the-art FCA US LLC design, engineering and testing resource available to us.





For example:

- Our parts are tested to the everyday equivalent of 150,000 miles on-road and off-road.
- Extensive temperature testing to hot and cold extremes, as low as -40 F and as high as 200 F.
- X-ray analysis of raw materials and finished parts to make sure there are no internal voids.
- Impact testing for overall safety because we know our parts are going to see things that are a little more challenging than what most vehicles experience.
- Corrosion-testing – finishes are tested to the equivalent of 10 years of everyday use.
- Electrical product testing to make sure there is not any interference with Original Equipment electronics.
- Our graphics endure grueling testing – simulated sun-loads make sure that graphics will stay as sharp and vibrant as they were when you brought your Jeep® vehicle home.

Every single performance part endures rigorous testing to make sure it's ready for your next adventure – that's what sets us apart from other aftermarket companies. We're the same factory engineers who designed your vehicle, and we live by a few simple principles: Original Equipment specs, Integrated Engineering, robust design and rigorous testing. That's why authentic Jeep® Performance Parts fit well, install easily and work the way they should. We take pride in building parts that will take you to the ends of the earth – AND back.



**THIS IS WHERE
YOUR DREAMS BEGIN.**



It's time to start your dream build. Check out the vehicles we've outfitted with Jeep® Performance Parts and Accessories on the following pages, and let your dreams run wild.



FOR WHEN YOU WANT TO HIT THE TRAILS

JEEP® GLADIATOR RUBICON®

1. P/N 82215594AB	\$1,380.00
2. P/N 82215631	\$375.00
3. P/N LRJT0202TU	\$1,280.00
4. P/N 82215523AB - FRONT P/N 82215524AC - REAR See page 58 for more details.	\$43.00 \$47.00
5. P/N 82215385AC* See page 52 for more details.	\$510.00
6. P/N 82215427AB See page 52 for more details.	\$185.00
7. P/N 77072498AC*** See page 58 for more details.	\$1,240.00
8. P/N 82215606AB See page 54 for more details.	\$1,170.00
9. P/N 77072468AE* See page 22 for more details.	\$2,095.00
10. P/N 77072494AB See page 30 for more details.	\$316.00 EACH





3

KATZKIN® LEATHER

4

GRAB HANDLES - FRONT AND REAR

5

5-INCH OFF-ROAD LED LIGHT KIT*

8

JEEP® PERFORMANCE PARTS ROCK RAILS

6

A-PILLAR LIGHT BRACKET

9

2-INCH LIFT KIT*

7

TUBE DOORS**

10

17-INCH OFF-ROAD WHEELS



Item is a Mopar accessory that may require installation by your dealer. Actual price of item is determined by the dealer and may vary from price shown. List price does not include installation, other ancillary equipment or sales tax. See dealer for details.

MOPAR.COM/JPP



4

SUN BONNET - MESH

3

5-INCH OFF-ROAD LED LIGHT KIT*

2

SATIN BLACK GRILLE

1

7-INCH OFF-ROAD LED LIGHT KIT*

12

GRILLE AND WINCH GUARD HOOP

10

TUBE DOORS**,**

11

A-PILLAR LIGHT BRACKETS

***For additional information, see pages 66 and 67.



5
TAILGATE
REINFORCEMENT SYSTEM

6
CENTER HIGH-MOUNT
STOP LIGHT (CHMSL)

7
2-INCH LIFT KIT *

8
BEADLOCK-CAPABLE
WHEELS*

9
JEEP® PERFORMANCE
PARTS ROCK RAILS

FOR WHEN THINGS GET A LITTLE ROCKY

JEEP® WRANGLER JL RUBICON®

- | | |
|-------------------------------|---------------|
| 1. P/N 82215386AC* | \$780.00 |
| See page 52 for more details. | |
| 2. P/N 82215114 | \$390.00 |
| 3. P/N 82215385AC* | \$510.00 |
| See page 52 for more details. | |
| 4. P/N 82215389AC - 2 DOOR | \$170.00 |
| P/N 82215390AC - 4 DOOR | \$170.00 |
| 5. P/N 82215356AC | \$740.00 |
| See page 32 for more details. | |
| 6. P/N 82215349AB | \$91.00 |
| See page 32 for more details. | |
| 7. P/N 77072396AF* | \$2,095.00 |
| See page 22 for more details. | |
| 8. P/N 77072466AB* | \$425.00 EACH |
| See page 31 for more details. | |
| 9. P/N 82215129AB | \$1,000.00 |
| See page 54 for more details. | |
| 10. P/N 77072496AC** | \$780.00 |
| See page 58 for more details. | |
| 11. P/N 82215427AB | \$185.00 |
| See page 52 for more details. | |
| 12. P/N 82215351 | \$315.00 |
| See page 42 for more details. | |

Item is a Mopar, accessory that may require installation by your dealer. Actual price of item is determined by the dealer and may vary from price shown. List price does not include installation, other ancillary equipment or sales tax. See dealer for details.

MOPAR.COM/JPP



FOR WHEN YOU NEED A RECHARGE

JEEP® WRANGLER JL RUBICON®

1. P/N 82215729	\$79.00
See page 52 for more details.	
2. P/N 82215386AC*	\$780.00
See page 52 for more details.	
3. P/N 82215385AC*	\$510.00
See page 52 for more details.	
4. P/N 82215427AB	\$185.00
See page 52 for more details.	
5. P/N 82215390AC	\$170.00
6. P/N 82215349AB	\$91.00
See page 32 for more details.	
7. P/N 82215356AC	\$740.00
See page 32 for more details.	
8. P/N 77072466AB*	\$425.00 EACH
See page 31 for more details.	
9. P/N 77072396AF*	\$2,095.00
See page 22 for more details.	
10. P/N 82215165AC	\$1,135.00
See page 54 for more details.	





4

A-PILLAR LIGHT BRACKET

5

SUN BONNET - MESH

6

CENTER HIGH-MOUNT STOP LIGHT (CHMSL)

7

TAILGATE REINFORCEMENT SYSTEM

8

BEADLOCK-CAPABLE WHEELS*

Item is a Mopar, accessory that may require installation by your dealer. Actual price of item is determined by the dealer and may vary from price shown. List price does not include installation, other ancillary equipment or sales tax. See dealer for details.

MOPAR.COM/JPP





1

**SOFT TRI-FOLD
TONNEAU COVER**

2

A-PILLAR LIGHT BRACKET

9

**5-INCH OFF-ROAD
LED LIGHT KIT***

8

**BEADLOCK-CAPABLE
WHEELS WITH BEAUTY RING***

7

**RUBICON® STEEL
THREE-PIECE FRONT BUMPER**

**For additional information, see pages 66 and 67.*



3

1941 HOOD GRAPHIC

4

**7-INCH OFF-ROAD
LED LIGHT KIT***

5

**GRILLE AND WINCH
GUARD HOOP**

6

**WINCH GUARD LIGHT
MOUNTING BRACKET**

FOR WHEN YOU'RE LIVING THE DREAM

JEEP® GLADIATOR RUBICON®

1. P/N 82215615	\$670.00
2. P/N 82215427AB See page 52 for more details.	\$185.00
3. P/N 82215734	\$250.00
4. P/N 82215386AC* See page 52 for more details.	\$780.00
5. P/N 82215351 See page 42 for more details.	\$315.00
6. P/N 82215729 See page 52 for more details.	\$79.00
7. P/N 82215121AF See page 42 for more details.	\$1,165.00
8. P/N 77072466AB* See page 31 for more details.	\$425.00 EACH
9. P/N 82215385AC* See page 52 for more details.	\$510.00

Item is a Mopar, accessory that may require installation by your dealer. Actual price of item is determined by the dealer and may vary from price shown. List price does not include installation, other ancillary equipment or sales tax. See dealer for details.

MOPAR.COM/JPP





PERFORMANCE CHASSIS

Unleash your Jeep® vehicle into the wild with custom chassis products that provide increased performance, ground clearance and exceptional off-road articulation.



LIFT KITS*



STEERING DAMPERS



BIG BRAKE KITS



Jeep® Performance Parts Lift Kits* improve ground clearance and allow for larger tires. You can further enhance any ride with FOX shocks that are already tuned specifically for a Jeep® vehicle with larger tires.

Jeep® GLADIATOR AND Jeep® WRANGLER JL 2" LIFT KIT WITH FOX SHOCKS*

Jeep® Performance Parts (JPP) 2" Lift Kits* have been developed by Jeep® Brand engineers and off-road enthusiasts, and allow you to use larger tires. The Kits include 2.5" diameter aluminum body monotube FOX shock absorbers for cooler operation. The Lift Kits increase articulation and tire-to-ground contact, and the longer front control arms optimize suspension tuning for on-road drivability while improving off-road capability. They work with electronic stability control although unique alignment specifications are required. The parts are easy to install as no driveshaft or brake line replacements are required. Rigorously tested for performance, durability and corrosion, the parts in this Kit are held to all FCA US LLC production standards. The Kit comes in a reusable Jeep® Branded wooden crate with a Jeep® Performance Parts Badge.

P/N 77072468AE **\$2,095.00**

2020–2021, Jeep® Gladiator
equipped with 3.6L engine

P/N 77072395AG **\$2,095.00**

2018–2021, 4-Door Jeep® Wrangler JL
equipped with 3.6L engine

P/N 77072396AF **\$2,095.00**

2018–2021, 2-Door Jeep® Wrangler JL
equipped with 3.6L engine

P/N 77072430AG **\$2,095.00**

2018–2021, 4-Door Jeep® Wrangler JL
equipped with 2.0L engine

P/N 77072397AF **\$2,095.00**

2018–2021, 2-Door Jeep® Wrangler JL
equipped with 2.0L engine





P/N 82215637AB

TALL JACK BASE

Single unit block made out of a polymer. Molded indentation designed to fit your factory scissor jack to keep it planted firmly in place when jacking the vehicle. Used as a stable base to help lift and extend the range of the production jack when vehicle is equipped with larger tires and/or Lift Kits* are present. Angled face to work as a wheel chock as well.

P/N 82215637AB

\$73.00

2020-2022, Jeep® Gladiator
2018-2022, Jeep® Wrangler JL

“Love the OEM quality of the product and am confident in the durability of this JPP Kit offering. Ride and handling with oversized tires is top notch.”

JEFF GREEN

VP, Corporate Development – Bestop, Inc.



Item is a Mopar® accessory that may require installation by your dealer. Actual price of item is determined by the dealer and may vary from price shown. List price does not include installation, other ancillary equipment or sales tax. See dealer for details.

[MOPAR.COM/JPP](https://mopar.com/jpp)



JEEP® WRANGLER JK 2" LIFT KIT WITH FOX SHOCKS*

Features the FOX Shocks 2.0 Performance Series IFP shock. Its brushed aluminum shock body dissipates heat faster than conventional steel and combines with other race-inspired technology to provide incredible fade-free performance, precise handling and stability. Hard chrome-plated, heat-treated shock shaft and redundant sealing system does not require a dust boot. Includes four tuned coil springs, four FOX shocks, brake line and track bar brackets, 1310-Double Cardan front driveshaft and yoke (3.6L engine) and all the hardware required for a complete installation. Tires larger than production will require a 12mm wheel offset (Jeep® Performance Parts offers several styles; see the Performance Wheels & Tire Components section in this catalog).

P/N 77070090 **\$655.00**
2012-2018 Jeep® Wrangler JK, Front Driveshaft

P/N 77070100AC **\$190.00**
2" FOX Shock, Front Shock (1).
2012-2018, 2-Door or 4-Door Jeep® Wrangler JK

P/N 77070102AC **\$195.00**
2" FOX Shock, Rear Shock (1).
2012-2018, 4-Door Jeep® Wrangler JK

P/N 77070103AC **\$205.00**
2" FOX Shock, Rear Shock (1).
2012-2018, 2-Door Jeep® Wrangler JK

JEEP® WRANGLER JK 4" LIFT KIT WITH FOX SHOCKS*

Raise your profile and enjoy the fun of off-roading and handling. Kit includes four specially tuned springs with dual-coat protective coating, four tuned FOX reservoir shocks, control arms, four brake lines, 1310-Double Cardan front driveshaft and yoke, front/rear track bar relocation and all necessary brackets. Also includes a FOX steering damper and our High-Steer Conversion Kit to correct the steering geometry.

Note: Production wheels will not work with this Kit. Min. of 12mm wheel offset required. Allows for up to 35" tires.

P/N 77072357AC **\$325.00**
2007-2011, 2-Door Jeep® Wrangler JK equipped with 3.8L engine

P/N 77072359AC **\$340.00**
2007-2018, 4-Door Jeep® Wrangler JK equipped with 3.6L engine



STEERING DAMPERS

Provides additional steering linkage damping necessary when vehicle is fitted with larger than stock tires.

FOX Premium Steering Damper

P/N 77072360AC **\$195.00**

2020-2022, Jeep® Gladiator
2018-2021, Jeep® Wrangler JL
2007-2018, Jeep® Wrangler JK

Heavy-Duty Steering Stabilizer

P/N P5155264 **\$125.00**

2007-2018, Jeep® Wrangler JK



Item is a Mopar® accessory that may require installation by your dealer. Actual price of item is determined by the dealer and may vary from price shown. List price does not include installation, other ancillary equipment or sales tax. See dealer for details.

[MOPAR.COM/JPP](https://www.mopar.com/jpp)



Big wheels and tires need big brakes. Our Big Brake Kits can help improve fade resistance and stopping power so your next adventure can take you further.

Note: 17" wheels or larger are required; however, not all 17" wheels will work. Be sure to check clearance before driving.

JEEP® WRANGLER JL BIG BRAKE KIT

Direct bolt-on, heavy-duty front and rear Big Brake Kit features front 330mm x 28mm vented rotors and 51mm 2-piston caliper, front brake lines, rear 342mm x 14mm solid rotors and 48mm single piston caliper, heavy-duty brake pads and hardware. Same as what comes standard on the Rubicon®. Replacement pads and rotors are available.

P/N 77072434 **\$935.00**

2018–2022, Jeep® Wrangler JL

Note: Brakes work with original master cylinder, no need to change.



JEEP® WRANGLER JK BIG BRAKE KIT

Front axle Big Brake Kit features large 330mm rotors, big 54mm 2-piston calipers, brake lines and heavy-duty pads. Kit also includes a matching brake booster and a 21% larger master cylinder. Replacement pads and rotors are available.

REPLACEMENT PARTS FOR P/N P5160051AD

Performance Master Cylinder and Booster

Includes reservoir.

P/N P5160050 **\$270.00**

2007–2018, Jeep® Wrangler JK



Replacement Pads

P/N 68456066AA **\$271.00**



Replacement Rotors

P/N 68250085AB **\$135.00**



Item is a Mopar, accessory that may require installation by your dealer. Actual price of item is determined by the dealer and may vary from price shown. List price does not include installation, other ancillary equipment or sales tax. See dealer for details.

[MOPAR.COM/JPP](https://mopar.com/jpp)





PERFORMANCE WHEELS & TIRE COMPONENTS

As a Jeep® vehicle owner, you can't resist unmarked territory, so it's only fitting that your wheels match your ambition. Our performance wheels are engineered to handle wider, aggressive off-road rubber to give you maximum traction wherever you wander.



OFF-ROAD WHEELS



BEADLOCK-CAPABLE WHEELS*



TAILGATE REINFORCEMENTS



Where rubber meets rock, Jeep® Performance Parts shine. Wheels that are engineered to accommodate wider, high-impact, aggressive off-road tires aren't meant to only stay on pavement.

17" CAST ALUMINUM OFF-ROAD WHEELS

17" x 8.5" x 12mm offset Cast Aluminum Wheel is rated for a 1,950-lb. load rating, a 5" x 5" bolt pattern and a 71.54mm pilot bore diameter. Also includes a Jeep® Branded center cap in corresponding wheel finish.

2020-2022, Jeep® Gladiator
2018-2022, Jeep® Wrangler JL
2007-2018, Jeep® Wrangler JK

P/N 77072470AB **\$251.00**
17" Off-Road Wheel – Jet Black

P/N 77072471AB **\$271.00**
17" Off-Road Wheel – Gear Design – Satin Carbon

P/N 77072472AB **\$251.00**
17" Off-Road Wheel – Fine Silver

P/N 77072494AB **\$316.00**
17" Off-Road Wheel – Slotted Design – Satin Carbon



“The Jeep® Performance Parts wheels are often the most commented item on the Jeep® vehicle and folks are stunned when we tell them they came from the Jeep® dealership.”

DOUG JOHNSON

Director, OE Programs – Katzkin®





BEADLOCK-CAPABLE WHEEL

17" x 8" Beadlock-Capable Wheel provides a backspacing of 4.4" (12mm offset). This wheel features dual bead seats. The outer bead of the tire can be mounted in a compliant inner location or in the outer location as a true beadlock with purchase of Functional Lock Ring Kit. Wheel is satin black with a tech silver beauty ring. Beauty ring is paintable. This wheel features a protected valve stem design, a 5" x 5" bolt pattern, and meets all FCA US LLC standards for corrosion and load. Requires Functional Lock Ring Kit, sold separately, for true beadlock capability.

P/N 77072466AB

\$425.00

2020-2022, Jeep® Gladiator
 2018-2022, Jeep® Wrangler JL
 2007-2018, Jeep® Wrangler JK



FUNCTIONAL BEADLOCK RING KIT FOR TRUE BEADLOCK CAPABILITY*

Beadlock wheels clamp the outer tire bead to the rim, allowing you to run very low tire pressure for maximum traction and ride. This Functional Lock Ring Kit turns your Beadlock-Capable Wheel into a true functioning Beadlock Wheel. Hardware included.

Note: Lock Ring for off-road use only.

P/N P5160154AA

\$155.00

2020-2022, Jeep® Gladiator
 2018-2022, Jeep® Wrangler JL
 2007-2018, Jeep® Wrangler JK



Item is a Mopar, accessory that may require installation by your dealer. Actual price of item is determined by the dealer and may vary from price shown. List price does not include installation, other ancillary equipment or sales tax. See dealer for details.

MOPAR.COM/JPP



JEEP® WRANGLER JL TAILGATE REINFORCEMENT & SPARE TIRE CARRIERS

Tailgate Reinforcement System

Swing Gate Hinge Reinforcement allows for larger tires to be mounted on the swing gate. The reinforcement is powder-coated black and works with production hinge for easier installation. Requires Oversized Spare Tire Carrier Modification Kit (P/N 82215355AC). For use with tires up to 37". Also provides mounting provisions for other accessories.

P/N 82215356AC

\$740.00

2018–2022, Jeep® Wrangler JL



P/N 82215356AC

Oversized Spare Tire Carrier Modification Kit

Modification Kit provides various spacers to adjust the production spare tire carrier in order to accommodate larger tire assembly. The carrier is painted with a corrosion-resistant black finish. Requires Tailgate Reinforcement System (P/N 82215356AC).

P/N 82215355AC

\$320.00

2018–2022, Jeep® Wrangler JL



P/N 82215355AC

Center High-Mount Stop Light (CHMSL) Relocation Kit

CHMSL Relocation Kit allows you to add larger tires on the spare tire mount and move the CHMSL to the center of the spare tire. Can be used with the Oversized Spare Tire Carrier Modification Kit (P/N 82215355AC), Tailgate Reinforcement System (P/N 82215356AC) or as a stand-alone component.

Note: Not compatible with Mopar® spare tire covers.

P/N 82215349AB

\$91.00

2018–2022, Jeep® Wrangler JL



P/N 82215349AB



JEEP® WRANGLER JK TAILGATE REINFORCEMENT & SPARE TIRE CARRIERS

Tailgate Reinforcement System

Cast Aluminum Tailgate Reinforcement replaces the stock hinges and supports the spare tire mount. This tailgate hinge system mounts to existing body attachment locations and can be used with or without the production tire carrier. Requires Oversized Spare Tire Carrier Modification Kit (P/N 82215713). For use with tires over 33".

P/N 82214770AC

\$845.00

2007–2018, Jeep® Wrangler JK



Oversized Spare Tire Carrier Modification Kit

Oversized Spare Tire Carrier is adjustable for different size tires and wheel offsets. Use with cast tailgate reinforcement. Required for tires over 33" in diameter with tailgate reinforcement.

P/N 82215713

\$365.00

2007–2018, Jeep® Wrangler JK



Item is a Mopar, accessory that may require installation by your dealer. Actual price of item is determined by the dealer and may vary from price shown. List price does not include installation, other ancillary equipment or sales tax. See dealer for details.

MOPAR.COM/JPP





PERFORMANCE DRIVELINE COMPONENTS

When you're driving a Jeep® vehicle, giving up is not an option. You've got the power to go over, around, and under and you just can't resist. Feed your addiction to adventure with durable axle components that deliver handling and capability you want.



CRATE AXLES



CRATE AXLE COMPONENTS



DIFFERENTIAL COVERS



Looking for next level off-road performance? Go with these front and rear axle assemblies. Our wide range of axle options cater to all kinds of rides, from serious expeditions to casual adventures.

JEEP® GLADIATOR RUBICON® CRATE AXLE

Crate Axle Assembly is the same as the production Rubicon® Axle Assembly, a 4.10 ratio. Assemblies come with electric lockers.

P/N 77072533AA **\$3,340.00**

Jeep® Gladiator Axle Assembly, Front.
2020-2021, Jeep® Gladiator

Note: Does not come with brakes.



JEEP® WRANGLER JL RUBICON® CRATE AXLE

Crate Axle Assembly is the same as the production Rubicon® Axle Assembly, a 4.10 ratio. Assemblies come with electric lockers.

P/N 77072405 **\$2,815.00**

Jeep® Wrangler Rubicon® Axle Assembly, Front.
2018-2021, Jeep® Wrangler JL

Note: Does not come with brakes.



P/N 77072406 **\$2,405.00**

Jeep® Wrangler Rubicon® Axle Assembly, Rear.
2018-2022, Jeep® Wrangler JL

RUBICON® LOCKER WIRING HARNESS

20-foot, 2-wire connector. You provide power and ground with your switch. Allows front or rear locking axle to be powered.

P/N 77072413 **\$91.00**

2020-2022, Jeep® Gladiator
2018-2022, Jeep® Wrangler JL



RING AND PINION GEARS, DANA M210, 4.88 RATIO

Ring and Pinion Gears help maintain vehicle performance after larger tires are fitted. Jeep® Performance Parts gears are made from heat-treated 8620 steel. Gear ratio is 4.88:1.

P/N 77072409 **\$425.00**

Axle, Wide-Front.
2020-2021, Jeep® Gladiator
2018-2022, Jeep® Wrangler JL



ULTIMATE DANA 44™ ADVANTEK® AXLE

The Dana 44™ AdvanTEK® Front Axle Assembly provides improved off-road capability and additional ground clearance. Delivered as a complete assembly and designed as a direct bolt-on, they are available with your choice of four gear ratios (4.56, 4.88, 5.13, 5.38) to better accommodate different tire sizes. Features heat-treated SAE-4340 chromoly axle shafts with large 1410 series universal joints load-rated at 3,600 Nm. Includes a selectable electronic locker and necessary suspension brackets. Nodular iron, Jeep® Branded differential cover with extra ribbing offers added strength, and ½" rotated high-clearance carrier provides additional ground clearance.

P/N 77072527 **\$4,590.00**

Ultimate Dana 44™ AdvanTEK® Axle Assembly, Front, 5.13.
2020-2021, Jeep® Gladiator
2018-2021, Jeep® Wrangler JL

P/N 77072529 **\$4,590.00**

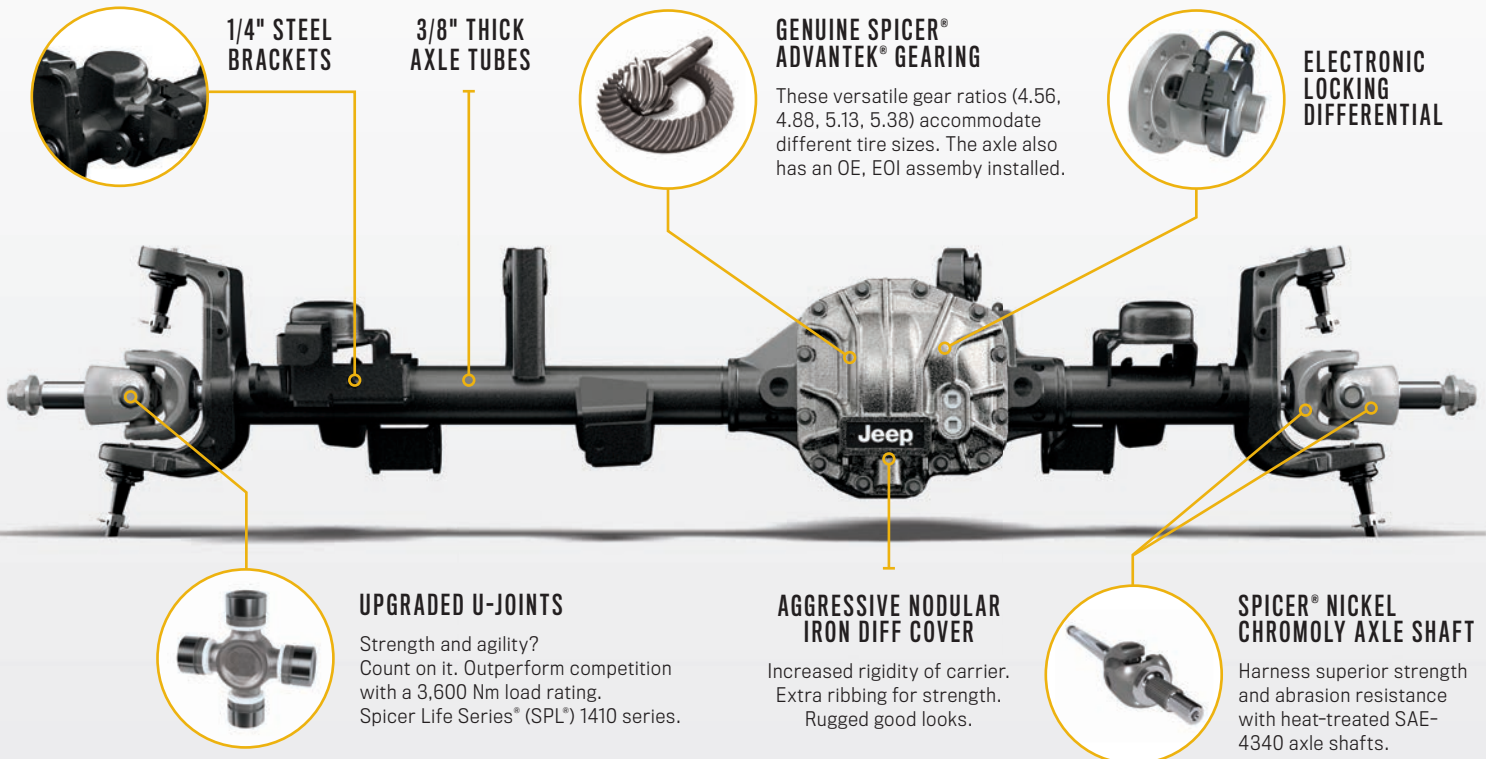
Ultimate Dana 44™ AdvanTEK® Axle Assembly, Front, 4.56.
2020-2021, Jeep® Gladiator
2018-2021, Jeep® Wrangler JL

P/N 77072528 **\$4,590.00**

Ultimate Dana 44™ AdvanTEK® Axle Assembly, Front, 4.88.
2020-2021, Jeep® Gladiator
2018-2021, Jeep® Wrangler JL

P/N 77072530 **\$4,500.00**

Ultimate Dana 44™ AdvanTEK® Axle Assembly, Front, 5.38.
2020-2021, Jeep® Gladiator
2018-2021, Jeep® Wrangler JL



1/2" ROTATED HIGH-CLEARANCE CARRIER

Take on even the most brutal terrain with the high-clearance carrier design of these superior axles.

Item is a Mopar, accessory that may require installation by your dealer. Actual price of item is determined by the dealer and may vary from price shown. List price does not include installation, other ancillary equipment or sales tax. See dealer for details.

MOPAR.COM/JPP



HEAVY-DUTY RUBICON® DANA 44™ AXLE HOUSING, FRONT

This heavy-duty Axle Housing is a direct replacement for your Rubicon® front axle. This Housing features thicker wall tubes and improved bending strength over stock. This is a bare Housing, ready to accept the gears, locker and shafts from your Housing.

P/N P5160036

\$1,115.00

2007-2018, Jeep® Wrangler JK



“JPP’s Ultimate Dana 44™ AdvanTEK® axles are built strong so hardcore Jeep® Wrangler off-roaders can go where others fear to tread. High-strength features include AdvanTEK® Gear technology that reduces gear set packaging, allowing for a condensed carrier and improving ground clearance. We are proud to offer these axles through the Jeep® Performance Parts program.”

BILL NUNNERY

Senior Director, Dana Global Aftermarket Sales & Marketing



AXLE BRACKET KITS

Our Kits offer all necessary brackets you'll need for your Jeep® vehicle when installing your own axle. The Kit consists of the upper and lower control arm mounts, shock mounts, spring mounts and track bar mounts. All parts are raw steel and are ready for welding.

P/N P5160041 **\$295.00**

Axle Brackets, Front.
2007-2018, Jeep® Wrangler JK

P/N P5160042 **\$290.00**

Axle Brackets, Rear.
2007-2018, Jeep® Wrangler JK



DIFFERENTIAL COVERS

The Jeep® Performance Parts extreme heavy-duty Differential Covers offer upgraded protection for your axle's differential. Made from nodular castings, these covers provide increased strength and protect your differential from severe impact from rocks or off-road obstacles. They also greatly enhance the rugged look of your axles. Each Cover comes with exclusive Jeep® Brand badging.

P/N P5160020 **\$230.00**

Dana 60™ Heavy-Ribbed Cast Iron Differential Cover with Jeep® Brand logo. Rear only.
Fits all Dana 60™ rear axles.
2020-2022, Jeep® Gladiator
2018-2022, Jeep® Wrangler JL
2007-2018, Jeep® Wrangler JK



RING AND PINION GEARS, DANA 44™, 4.88 RATIO

Ring and Pinion Gears help maintain vehicle performance after larger tires are fitted. Jeep® Performance Parts gears are made from heat-treated 8620 steel.

P/N P5155355AB **\$510.00**

Axle, Front.
2007-2018, Jeep® Wrangler JK

P/N P5155356AB **\$370.00**

Axle, Rear.
2007-2018, Jeep® Wrangler JK



HEAVY-DUTY GREASABLE BALL JOINT KIT

Includes all four ball joints.

P/N P5160059 **\$250.00**

2007-2018, Jeep® Wrangler JK





OFF-ROAD ACCESSORIES

A Jeep® vehicle is the only vehicle that looks better dirty. With accessories like rock rails, bumpers, winches and skid plates, you can venture even further off the beaten path, where things really get dirty.



BUMPERS AND WINCHES



OFF-ROAD LED LIGHTS*



ROCK RAILS



JEEP® WRANGLER JL AND JEEP® GLADIATOR BUMPERS

Steel high-clearance bumpers are tough and heavily gusseted for strength. Functional and strong, these bumpers include many must-have features already built in. They are even compatible with airbag systems and will maintain proper deployment.

Rubicon® Steel 3-pc. Bumper, Front

Front off-road bumper, same as production, is the complete 3-pc. steel assembly including Steel Stubby Bumper and end caps.

P/N 82215121AF **\$1,165.00**
2020-2022, Jeep® Gladiator
2018-2022, 2-Door and 4-Door Jeep® Wrangler JL

Rubicon® Steel Stubby Bumper, Front

Rubicon® Steel 1-pc. Bumper, same as production front steel bumper. The Stubby Bumper is the centerpiece of the Rubicon® Bumper and you can add the Front Bumper End Caps (P/N 82215115AB) to this bumper to create the complete Rubicon® Bumper. This steel, winch-capable bumper assembly must be used with the production Steel Skid Plate (P/N 82215183AB).

Front Bumper End Caps

For Rubicon® Steel 1-pc Bumper. Add this kit to complete full Rubicon® Bumper kit.

P/N 82215115AB **\$300.00**
2020-2022, Jeep® Gladiator
2018-2022, 2-Door and 4-Door Jeep® Wrangler JL

Grille and Winch Guard Hoop

Grille and Winch Guard designed with 2" outside diameter (OD), black, powder-coated steel. Bolts to the Rubicon steel bumper or Jeep® Performance Parts steel front bumper.

P/N 82215351 **\$315.00**
2020-2022, Jeep® Gladiator
2018-2022, Jeep® Wrangler JL

Rubicon® Steel Rear Bumper

Rear off-road bumper, same as production, matches front Rubicon® Bumper. Bumper is steel with black, powder-coated finish.

P/N 82215634AD **\$710.00**
2020-2022, Jeep® Gladiator

P/N 82215342AE **\$875.00**
2018-2022, 2-Door and 4-Door Jeep® Wrangler JL





Jeep® Performance Parts Front Bumper

Rigorously tested for performance, durability and corrosion, this heavy-duty bumper is steel e-coated and black powder-coated. Includes D-rings for extra towing capability. Bumper is fully compatible with Jeep® Performance Parts Rubicon® Winch and maintains vehicle compliance. Use with Steel Skid Plate (P/N 82215183AB) and LED Fog Lamps (P/N 82215549).

Note: Jeep® Performance Parts Bumper is winch-capable for JL only.

P/N 82215691AD

\$1,505.00

2020-2022, Jeep® Gladiator
2018-2022, Jeep® Wrangler JL



Item is a Mopar® accessory that may require installation by your dealer. Actual price of item is determined by the dealer and may vary from price shown. List price does not include installation, other ancillary equipment or sales tax. See dealer for details.

[MOPAR.COM/JPP](https://www.mopar.com/jpp)



JEEP® WRANGLER JK BUMPERS

Rubicon® Steel 3-pc. Bumper, Front

Same as Rubicon® 10th Anniversary, Rubicon® Hard Rock and Rubicon® X Bumpers. Bumper is winch mount-capable and comes with black tow hooks and fog lamps. If desired, also order Front Bumper Skid Plate (P/N 82214330).

P/N 82213653AB

\$1,705.00

2007–2018, Jeep® Wrangler JK



Rubicon® Steel Stubby Bumper, Front

Rubicon® Steel 1-pc. Bumper, same as production front steel bumper. The Stubby Bumper is the centerpiece of the Rubicon® Bumper and you can add the Front Bumper End Caps (P/N 82214754AB) to this bumper to create the complete Rubicon® Bumper.

P/N 82214565AB

\$1,060.00

2007–2018, Jeep® Wrangler JK



Front Bumper End Caps

For Rubicon® Steel Stubby Bumper. Add End Caps to complete bumper kit.

P/N 82214754AB

\$660.00

2007–2018, Jeep® Wrangler JK



Aero End Caps

Aero Bumper End Caps, designed to be used with Rubicon® Steel Bumpers.

P/N 82214403AB

\$305.00

2007–2018, Jeep® Wrangler JK





P/N 77072349

Grille and Winch Guard Hoop

Grille and Winch Guard bolts to the Rubicon® Steel Front Bumpers with a no-drill installation. Powder-coated finish to match the front bumper assembly.

P/N 77072349

\$315.00

2007-2018, Jeep® Wrangler JK



P/N 82213654

Rubicon® Steel Rear Bumper

Same as Rubicon® 10th Anniversary, Rubicon® Hard Rock and Rubicon® X Bumpers.

P/N 82213654

\$1,030.00

2007-2018, Jeep® Wrangler JK



Item is a Mopar, accessory that may require installation by your dealer. Actual price of item is determined by the dealer and may vary from price shown. List price does not include installation, other ancillary equipment or sales tax. See dealer for details.

MOPAR.COM/JPP



WINCHES AND ACCESSORIES

Exclusive Jeep® Performance Parts Rubicon® Winch

Completely waterproof and submersible to ensure reliable operation during water fording and other adverse conditions. Includes 100 feet of Warn Spydura™ Synthetic Rope (the strongest, most feature packed synthetic rope on the market today). Finished in three-stage zinc phosphate, e-coat and powder coating. Fasteners treated with anti-corrosive Magni 565 coating. This Winch should be paired with the Front Bumper End Caps (P/N 82215115AB) to maintain equivalent airbag performance.

Note: Do not attempt water fording unless depth is known and consistent with the vehicle's water fording rating in the Owner's Manual. Traversing water can cause damage that may not be covered by the new vehicle warranty. Always off road responsibly in approved areas.

P/N P5160095AC

\$1,655.00

2020-2022, Jeep® Gladiator
2018-2022, Jeep® Wrangler JL
2007-2018, Jeep® Wrangler JK

Jeep® Trail Rated® Winch Accessory Kit

Trail Rated® Kit contains a Jeep® Branded, 22-foot, 18,000-lb. tensile strength tow strap, two 3/4" D-rings, a carabiner and a pair of Jeep® Branded gloves, all in a red nylon carrying bag with a black Jeep® Brand logo.

P/N 82213901AD

\$215.00

2020-2022, Jeep® Gladiator
2018-2022, Jeep® Wrangler JL
2007-2018, Jeep® Wrangler JK

Jeep® Winch Mounting Kit

Winch Mounting Kit, designed to fit on the stock steel front bumper and the Mopar® front bumper assembly. The Mopar Winch Plate Kits keep the vehicle in compliance with all Federal Motor Vehicle Safety Standards for frontal impact and airbag deployment.

Jeep® Wrangler JL can have a Winch and Winch Mounting Plate installed on both the Rubicon® Bumper and Jeep® Performance Parts Front Bumper. Jeep® Gladiator can have the Winch and Mounting Plate installed on the Rubicon® Bumper only.

P/N 82215182AD

\$530.00

2020-2021, Jeep® Gladiator
2018-2021, Jeep® Wrangler JL

Fairlead Mounting Plates

2020-2022, Jeep® Gladiator
2018-2022, Jeep® Wrangler JL

P/N 82215527AB

\$55.00

Non-centered winches

P/N 82215528AB

\$55.00

Centered winches



P/N P5160095AC



P/N 82213901AD



P/N 82215182AD

WANT US TO HOOK YOU UP?

Here's everything it takes to assemble your winch to your Jeep® vehicle.



P/N P5160095AC
Exclusive Jeep® Performance Parts Rubicon® Winch

P/N 82215182AD
Jeep® Winch Mounting Kit

P/N 77072349
Grille and Winch Guard Hoop

P/N 82215528AB
Fairlead Mounting Plate for
Centered Winches

P/N 82215527AB
Fairlead Mounting Plate for
Non-centered Winches

P/N 82213653AB
Rubicon® Steel 3-pc. Bumper, Front

Item is a Mopar® accessory that may require installation by your dealer. Actual price of item is determined by the dealer and may vary from price shown. List price does not include installation, other ancillary equipment or sales tax. See dealer for details.

MOPAR.COM/JPP



SKID PLATES

Your Jeep® vehicle was built to climb rocks and tear through streams. You don't have to take it easy, because you have the right Skid Plates to protect your Jeep® vehicle from issues like punctured oil pans or bent axles. Our high-quality, OE-approved Skid Plates protect exposed parts, ranging from front suspension and axle components to the transfer case and fuel tank.

Front Bumper Skid Plate

Skid Plate designed to fit under the front bumper. Same as production Rubicon® Skid Plate. For use with the production steel front bumper only.

P/N 82215183AB

\$300.00

2020-2022, Jeep® Gladiator
2018-2022, Jeep® Wrangler JL



Front Bumper Skid Plate

Steering Linkage and Electronic Anti-Sway Bar Disconnect Skid Plate, under bumper. Same as production 10th Anniversary and Rubicon® X. For use on 10th Anniversary and Rubicon® X Bumpers.

P/N 82214330

\$260.00

2007-2018, Jeep® Wrangler JK





Item is a Mopar, accessory that may require installation by your dealer. Actual price of item is determined by the dealer and may vary from price shown. List price does not include installation, other ancillary equipment or sales tax. See dealer for details.

[MOPAR.COM/JPP](https://mopar.com/jpp)



HOOD WINDSHIELD REST BUMPER

Note: 2011 and newer, requires hood bumpers. Quantity: 2.

P/N 68192987AA

\$7.35

2011-2018, Jeep® Wrangler JK



WINDSHIELD TIE-DOWN STRAPS

Windshield Tie-Down Straps are e-coated and powder-coated steel hooks with adjustable straps.

P/N 82215717

\$33.00

2020-2022, Jeep® Gladiator
2018-2022, Jeep® Wrangler JL



These LED Headlights and Fog Lights provide premium illumination for visibility during brutal weather conditions while minimizing obnoxious glare. With specific designs for each vehicle, you can find lights that give your Jeep® vehicle a premium, integrated look.



LED HEADLIGHTS

LED Headlights provide brilliant performance and off-road durability. These long-life Lights provide excellent roadside lighting, a defined beam pattern and feature the Jeep® Brand logo. The Lights come in a set of 2 and are for use in U.S. (non-daytime running lamps) and Canada (daytime running lamps) only.

Note: Matching Fog Light Kits are sold separately.

P/N 82215136AE **\$960.00**

2020-2022, Jeep® Gladiator
2018-2022, Jeep® Wrangler JL



P/N 82214333AB **\$935.00**

2011-2018, Jeep® Wrangler JK

LED FOG LIGHTS



P/N 82215163 **\$320.00**

2020-2022, Jeep® Gladiator
2018-2022, Jeep® Wrangler JL

For Plastic Bumper only.

P/N 82215549 **\$320.00**

2020-2022, Jeep® Gladiator
2018-2022, Jeep® Wrangler JL

For Rubicon® Steel Bumper and Jeep® Performance Parts Steel Bumpers.



P/N 82214785 **\$460.00**

2007-2018, Jeep® Wrangler JK

For Rubicon® Steel Bumper and Jeep®
Wrangler Rubicon® Hard Rock Steel Bumper.

P/N 82214674 **\$405.00**

2007-2018, Jeep® Wrangler JK

For Plastic Bumper only.



OFF-ROAD LED LIGHTS*

See the world in a different light with our advanced, LED-technology Off-Road Lights Kit. By emitting an extraordinary actual output lumen count of 4,600 for each 5" Light and 8,000 lumens for each 7" Light in actual output (versus the industry raw count), these Lights provide superior performance without shadows and give increased visibility for a more secure off-road driving experience.

Made with an extremely durable, commercial-grade aluminum body, this Kit has been brutally tested in the field through vigorous shake and water pressure testing (IP69K rated). Each Kit contains 2 LED Lights, covers and wiring harness. The wiring harness includes pigtail with ground eyelet and blunt-cut circuit for power connection. These Kits pair well with our Auxiliary Switch Bank Kits on page 53. Off-Road Lights must remain turned off, or covered, on public roadways.



5" Off-Road LED Light Kit

P/N 82215385AC **\$510.00**
2020-2022, Jeep® Gladiator
2018-2022, Jeep® Wrangler JL



P/N 82215385AC



P/N 82215386AC

7" Off-Road LED Light Kit

P/N 82215386AC **\$780.00**
2020-2022, Jeep® Gladiator
2018-2022, Jeep® Wrangler JL



P/N 82215427AB

MOUNTING BRACKETS

Lower A-Pillar Mounting Bracket

P/N 82215427AB **\$185.00**
2020-2022, Jeep® Gladiator
2018-2022, Jeep® Wrangler JL

Bumper-Mount Light Bracket

P/N 82215428 **\$130.00**
2020-2022, Jeep® Gladiator
2018-2022, Jeep® Wrangler JL
Note: Mounts directly to frame.



P/N 82215428

Winch Guard Light Mounting Bracket

P/N 82215729 **\$79.00**
2020-2022, Jeep® Gladiator
2018-2022, Jeep® Wrangler JL
Note: 2" bracket inside diameter (ID).



P/N 82215729



P/N 82215190AF



P/N 82215798AF

AUXILIARY SWITCH BANK KITS

Includes switch bank trim, switches, power distribution center (PDC), bracket, wiring harness, cubby bin, tie straps and splice kit. Production pickup. Dealership body controller reconfiguration required.

Black

P/N 82215190AF

\$405.00

2020-2021, Jeep® Gladiator
2018-2021, Jeep® Wrangler JL

Chrome

P/N 82215798AF

\$405.00

2020-2021, Jeep® Gladiator
2018-2021, Jeep® Wrangler JL



Item is a Mopar, accessory that may require installation by your dealer. Actual price of item is determined by the dealer and may vary from price shown. List price does not include installation, other ancillary equipment or sales tax. See dealer for details.

[MOPAR.COM/JPP](https://www.mopar.com/jpp)



Constructed of heavy-gauge steel tubing, our fully functional Rock Rails and Tube Steps can take on the toughest trails. Both provide lower body-side protection and meet all FCA US LLC production standards for corrosion resistance.

JEEP® PERFORMANCE PARTS ROCK RAILS

Designed with the serious off-roader in mind, these are engineered to provide added lower-body protection to the vehicle. They are roll-formed and use zinc-coated steel for superior corrosion resistance. The outer surface is e-coated and then DuraBull®-coated (truck bedliner coating) to provide superior protection and durability.

P/N 82215606AC **\$1,170.00**
2020-2022, Jeep® Gladiator

P/N 82215129AC **\$1000.00**
2018-2022, 2-Door Jeep® Wrangler JL

P/N 82215165AC **\$1,135.00**
2018-2022, 4-Door Jeep® Wrangler JL



BLACK, POWDER-COATED STEEL PRODUCTION RUBICON® ROCK RAILS

P/N 82215605AB **\$525.00**
2020-2022, Jeep® Gladiator

P/N 82215128 **\$430.00**
2018-2022, 2-Door Jeep® Wrangler JL

P/N 82215126 **\$465.00**
2018-2022, 4-Door Jeep® Wrangler JL



SATIN BLACK ROCK RAILS

With functional heavy-duty tubular Tube Step. Bolt to existing mounting holes and feature reinforced mounting brackets.

P/N 82210575AH **\$1,010.00**
2007-2018, 4-Door Jeep® Wrangler JK



SATIN BLACK PRODUCTION RUBICON® ROCK RAILS

P/N 82210585AD **\$500.00**
2007-2018, 2-Door Jeep® Wrangler JK

P/N 82210586AD **\$565.00**
2007-2018, 4-Door Jeep® Wrangler JK



BLACK, POWDER-COATED STEEL ROCK RAILS

P/N 82213941AC **\$1,265.00**
2014-2021, Jeep® Cherokee

P/N 82213525AD **\$1,085.00**
2014-2022, Jeep® Grand Cherokee
Also used on production Trailhawk

P/N 82214641AE **\$1,265.00**
2017-2022, Jeep® Compass

P/N 82214201AG **\$1,145.00**
2015-2022, Jeep® Renegade



TUBE STEPS

Tubular Side Steps add both functionality and style. Available in either chrome or painted black aluminum, these provide superior protection for durability, and feature molded Steps to provide sure-footed traction. These Steps are installed to the underbody and the sill/pinch weld flange utilizing the same brackets and hardware as the production side step version.



Black

P/N 82215328AB **\$685.00**
2018-2022, 2-Door Jeep® Wrangler JL



P/N 82215327AB **\$705.00**
2018-2022, 4-Door Jeep® Wrangler JL

Chrome

P/N 82215610AB **\$655.00**
2020-2022, Jeep® Gladiator

P/N 82215330AB **\$640.00**
2018-2022, 2-Door Jeep® Wrangler JL



P/N 82215329AB **\$785.00**
2018-2022, 4-Door Jeep® Wrangler JL







FENDER FLARES

Fender Flares allow you to install larger wheels, larger tires and Lift Kits* on your vehicle without tire interference in the wheel well. Assembly creates a low center of gravity for on-road comfort and off-road capability. These high-top flares are the same as production Rubicon® with either LED or halogen daytime running lights. Kit includes four different flares, one designed for each wheel well. Fender Flares meet all FCA US LLC standards.

Paintable with LED lights.

P/N 82215984AB **\$875.00**
2020-2022, Jeep® Gladiator

P/N 82215741AD **\$765.00**
2018-2022, 2-Door or 4-Door Jeep® Wrangler JL



Molded in color black with LED lights.

P/N 82215985AB **\$1,050.00**
2020-2022, Jeep® Gladiator

P/N 82215743AD **\$650.00**
2018-2022, 2-Door or 4-Door Jeep® Wrangler JL



Paintable with halogen lights.

P/N 82215668 **\$875.00**
2020-2022, Jeep® Gladiator

P/N 82215740AD **\$810.00**
2018-2022, 2-Door or 4-Door Jeep® Wrangler JL



Molded in color black with halogen lights.

P/N 82215666AB **\$770.00**
2020-2022, Jeep® Gladiator

P/N 82215742AD **\$670.00**
2018-2022, 2-Door or 4-Door Jeep® Wrangler JL



TUBE DOOR KITS**

Enjoy the breeze and sun while adding the feeling of security. Mopar® Tube Doors*** are constructed of 2" round steel tubes. Sold as a 2-Door Kit and 4-Door Kit.

Note: Do not drive your vehicle on public roads with the original equipment doors removed, as you will lose the protection they can provide. Tube Door Kits*** are intended for use during off-road operation only. All occupants must wear seat belts during off-road operation with doors removed or Tube Door Kits installed.

P/N 77072498AC **\$1,240.00**

2020-2022, Jeep® Gladiator
2018-2022, 4-Door Jeep® Wrangler JL

P/N 77072496AC **\$780.00**

2018-2022, 2-Door Jeep® Wrangler JL

ADDITIONAL KITS FOR TUBE DOORS**

To make your Tube Door Kit*** fully functional, you will need to add these additional parts to your vehicle.

2020-2022, Jeep® Gladiator
2018-2022, 4-Door Jeep® Wrangler JL
2018-2022, 2-Door Jeep® Wrangler JL

P/N 77072562AB **\$221.00**

Mirror Kit for Tube Doors

P/N 77072564AA **\$270.00**

Mesh Door Covers, Front and Rear

P/N 77072563AA **\$145.00**

Mesh Door Covers, Front

GRAB HANDLES

Attach to the front (shown) or rear sport bar, and are made of steel with a sculpted overmold to fit your hand. Feature the Jeep® Brand grille logo.

Front handles

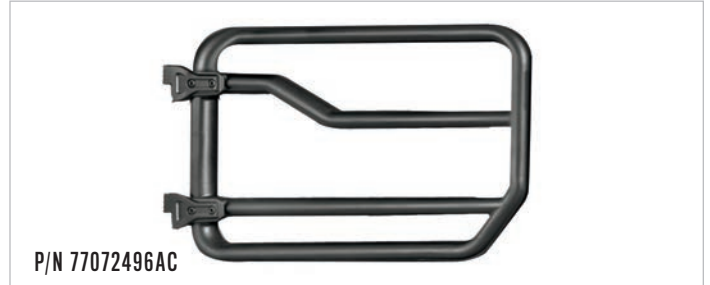
P/N 82215523AB **\$43.00**

2020-2022, Jeep® Gladiator
2018-2022, Jeep® Wrangler JL

Rear handles

P/N 82215524AC **\$47.00**

2020-2022, Jeep® Gladiator
2018-2022, Jeep® Wrangler JL





P/N 82216623AB



P/N 82216625AB

ALL-WEATHER FLOOR MATS

High-wall, bucket style to provide maximum coverage and protect your floor from wetness, snow, mud, dirt and grime. Available in Black and feature a terrain-style design and the Jeep® Brand logo. The front mats are designed to fit the vehicle floor drain holes to allow for draining without removing the mat. Each mat features nibbed backing and grommets for retention posts to keep them in place.

P/N 82216629AA **\$185.00**

2020-2022, Jeep® Gladiator

P/N 82216623AB **\$185.00**

2018-2022, 4-Door Jeep® Wrangler JL

P/N 82216625AB **\$185.00**

2018-2022, 2-Door Jeep® Wrangler JL



P/N 82215600

VEHICLE CAB COVERS (TRAIL COVER)

If you're looking for a cab cover, go with a high-quality, weather resistant nylon cap for your ride. With elastic loops that attach around tail lights and mirrors, plus two integrated cords to secure the cover, you'll get a cap that fits snugly over your Jeep® vehicle.

Black, water-resistant nylon.

P/N 82215600 **\$190.00**

2020-2022, Jeep® Gladiator

P/N 82215371 **\$175.00**

2018-2022, 2-Door Jeep® Wrangler JL

P/N 82215370 **\$190.00**

2018-2022, 4-Door Jeep® Wrangler JL

P/N 82210321 **\$185.00**

2007-2018, 2-Door Jeep® Wrangler JK

P/N 82210323 **\$185.00**

2007-2018, 4-Door Jeep® Wrangler JK



P/N 82210321

Silver, heat-reflective.

P/N 82210322AB **\$170.00**

2007-2018, 2-Door Jeep® Wrangler JK

P/N 82210324AB **\$180.00**

2007-2018, 4-Door Jeep® Wrangler JK



P/N 82210322AB

Note: Use without soft and hard tops. Can use with doors on or off the vehicle.





ENGINE COMPONENTS

Amplify your engine's performance with factory-engineered intake and exhaust systems that increase horsepower and torque.



PERFORMANCE INTAKE SYSTEMS



SNORKEL



EXHAUST SYSTEMS



PERFORMANCE INTAKE SYSTEMS

These bolt-on systems are designed to allow cooler outside air to flow through a directional filter, directly into the intake manifold. They provide noticeable horsepower and torque gains under varying atmospheric conditions. Kits include all mounting hardware and a washable/reusable filter. Do not oil Dry Media filters.

Cold Air Intake Systems

Cold Air Intake featuring Jeep® Brand logo and reusable black and silver drop-in filter. Draws fresh air from outside vehicle from hood cutout to increase engine performance. Includes bezel to finish cutout.

P/N 77072433AC **\$465.00**

2021, Jeep® Gladiator equipped with 3.6L engine
2018–2021, Jeep® Wrangler JL equipped with 3.6L engine



Additional Jeep® Brand Vehicles Cold Air Intake Systems

P/N 77070052 **\$425.00**

2012–2018, Jeep® Wrangler JK
equipped with 3.6L engine

P/N 77070054 **\$510.00**

2012–2017, Jeep® Grand Cherokee
equipped with 6.4L engine

P/N 77070041 **\$447.00**

2012–2018, Jeep® Grand Cherokee
equipped with 5.7L engine

P/N 77070042 **\$445.00**

2011–2015, Jeep® Grand Cherokee
equipped with 3.6L engine

P/N 77060011AB **\$435.00**

2006–2009, Jeep® Grand Cherokee
equipped with 6.1L engine

P/N 77060010AB **\$406.00**

2005–2009, Jeep® Grand Cherokee and
Jeep® Commander equipped with 5.7L engine

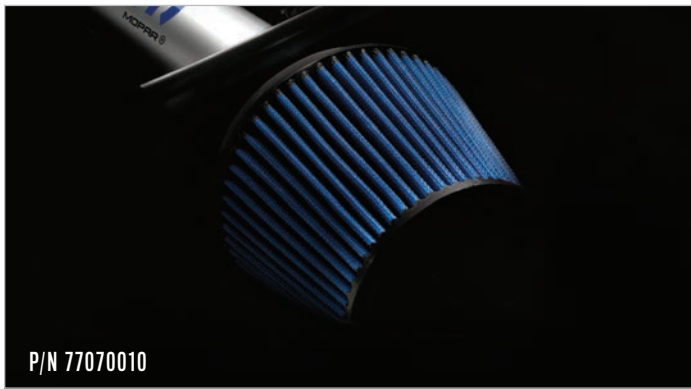


Cold Air Intake System With Oiled Filter

P/N P5153368 **\$400.00**

1997–2003, Jeep® Wrangler TJ
equipped with 4.0L engine





REPLACEMENT FILTERS FOR COLD AIR INTAKE SYSTEMS

Cold Air Intake Replacement Filters, Dry Media

P/N 77070010 **\$66.00**

For use with: P/N 77060003AC, P/N 77060006AB,
P/N 77060010AB, P/N 77060011AB or P/N 77070008

P/N 77070018 **\$70.00**

For use with: P/N 77070002

P/N 68198994AA **\$67.35**

For use with: P/N 77070041

P/N 68198999AA **\$86.00**

For use with: P/N 77070052

P/N P5160245AA **\$120.00**

For use with: P/N 77072433AC

HIGH FLOW, OE REPLACEMENT

P/N P4510472 **\$59.00**

1997-2003, Jeep® Wrangler TJ
equipped with 4.0L engine

P/N P4510475 **\$59.00**

1999-2004, Jeep® Grand Cherokee



Item is a Mopar® accessory that may require installation by your dealer. Actual price of item is determined by the dealer and may vary from price shown. List price does not include installation, other ancillary equipment or sales tax. See dealer for details.

MOPAR.COM/JPP



SNORKEL

Snorkel allows you to direct cool air into the engine when driving through conditions that threaten normal air inlets. The Snorkel is designed to fit air boxes on 2.0L and 3.6L engines.

P/N 82215350AD

2020, Jeep® Gladiator

2018-2020, Jeep® Wrangler JL

\$705.00

Note: Not compatible with the Mojave or vehicles with diesel engines.





EXHAUST SYSTEMS

Exhaust systems provide extra gain in performance, which gives your vehicle the capability to reach any destination on- or off-road. Choosing an exhaust system with deeper tone and bolder style will not only personalize your vehicle, but also improves its performance.

Cat-Back Exhaust System

Features T304 stainless steel construction (aircraft quality) with mandrel-bent tubing, stainless band Torca clamps, muffer and polished tips.

P/N P5153858 **\$685.00**
2007–2009, Jeep® Wrangler JK
equipped with 3.8L engine

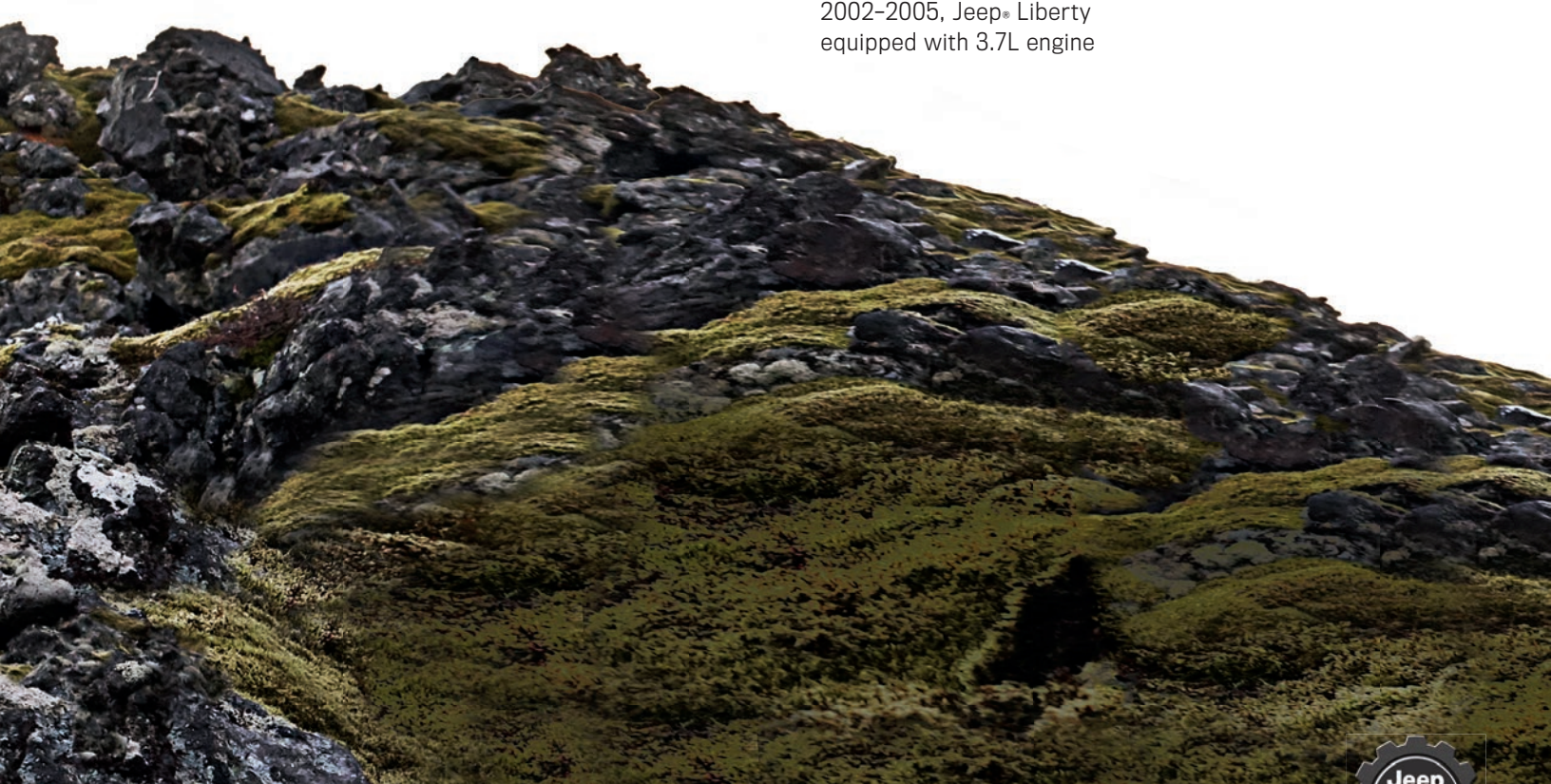
Dual Rear Exit

P/N 82215642AB **\$1,640.00**
Cat-Back Exhaust with chrome tips.
2020–2022, Jeep® Gladiator
equipped with 3.6L engine

P/N 82216276AA **\$1,640.00**
Cat-Back Exhaust with black tips.
2020–2022, Jeep® Gladiator
equipped with 3.6L engine

P/N P5160244AA **\$890.00**
2018–2022, Jeep® Wrangler JL
equipped with 3.6L engine

P/N P5007792 **\$790.00**
2002–2005, Jeep® Liberty
equipped with 3.7L engine



Item is a Mopar, accessory that may require installation by your dealer. Actual price of item is determined by the dealer and may vary from price shown. List price does not include installation, other ancillary equipment or sales tax. See dealer for details.

[MOPAR.COM/JPP](https://www.mopar.com/jpp)



MOPAR® PARTS & ACCESSORIES LIMITED WARRANTIES

MOPAR® BASIC LIMITED WARRANTY

Except as noted below, Mopar® Parts and Magneti Marelli® Offered by Mopar® parts installed by an authorized FCA US LLC dealership, including Chrysler, Dodge, Jeep®, Ram, FIAT® and Alfa Romeo locations, are warranted against defects in workmanship or materials for 24 months/unlimited miles for both parts and labor. Mopar Parts sold wholesale to an automotive service facility and installed by a professional technician are warranted against defects in workmanship or materials for 24 months/unlimited miles for parts and up to \$150.00 in labor. Mopar Parts and Magneti Marelli® Offered by Mopar® parts sold over-the-counter for vehicle owner or do-it-yourself installation are warranted against defects in workmanship or materials for 24 months/unlimited miles for parts exchange only.

Mopar Parts and Magneti Marelli® Offered by Mopar® parts replaced on an FCA US LLC vehicle still covered by the FCA US LLC New Vehicle Basic Limited Warranty are warranted for the remainder of the 3-Year/36,000-Mile New Vehicle Basic Limited Warranty, or for the Mopar 24-Month Basic Limited Warranty from the original purchase date, whichever is more favorable to the customer.

The Mopar Basic Limited Warranty covers the cost of towing a vehicle to the nearest authorized FCA US LLC dealership if the failure of a covered part causes the vehicle to be inoperative. If a Mopar part or a Magneti Marelli® Offered by Mopar® part is installed in an FCA US LLC vehicle by an authorized FCA US LLC dealer, and if, while that part is still under warranty, it causes other parts to be damaged or to fail, those other parts will be repaired or replaced under warranty, regardless of whether the other parts were covered by an FCA US LLC warranty at the time of failure. These warranties are the only express warranties made by FCA US LLC for Mopar Parts and Accessories and Magneti Marelli® Offered by Mopar® parts. Except where prohibited by law, this warranty is the sole and exclusive remedy. No person, including a dealer or employee of FCA US LLC or its affiliated corporations, has the authority to vary or change these warranties.

The limited warranty period starts on the day the part is sold, as reported on the sales receipt, to the consumer. Warranty period does not restart after repair. The limited warranty is not transferable. When the vehicle is sold or otherwise disposed of (i.e., the vehicle is no longer titled in consumer's name), the limited warranty ends. CONSUMER MUST KEEP ORIGINAL RECEIPT.

Mopar Parts and Magneti Marelli® Offered by Mopar® parts sold with a separate manufacturer's warranty are not eligible for the Mopar warranty. Warranty information on these parts is provided with the part or in its packaging. Examples include: Garmin navigation, TomTom navigation, Katzkin® leather, Koss headphones, truck bedliners, Truck Hero tonneau covers, SuperLift, paint sealant and fabric protection.

Exceptions

The following Mopar products have time and mileage limitations or warranty coverage that differs from the general coverage described above: Mopar Batteries; Magneti Marelli® Offered by Mopar® Batteries; Mopar Collision Parts; Mopar Windshield Made With Corning Gorilla Glass; Mopar Catalytic Converters; Mopar Gaskets and Seals; Magneti Marelli® Offered by Mopar® Catalytic Converters; Mopar Powertrain; Mopar Remanufactured Powertrain; Mopar HEMI® Crate Engine Kit; Mopar Performance Parts; Mopar Lifetime Limited Warranty on Value Line Brake Pads/Shoes, Value Line Shocks/Struts and Value Line Mufflers; Magneti Marelli® Offered by Mopar® Brake Pads/Shoes and Shocks/Struts.

MOPAR PERFORMANCE PARTS LIMITED WARRANTY

Notice

Federal and many state laws prohibit the removal, modification or rendering inoperative of any part or element of design affecting emissions or safety on motor vehicles used for transporting persons or property on a public street or highway. Violation may result in a fine imposed for each vehicle impacted. Many performance parts listed in this catalog cannot be used on vehicles used on public streets or highways. These parts may be used only on vehicles used solely in sanctioned off-highway events. No other applications for these parts are intended or implied. Those parts that have been granted an exemption by the California Air Resources Board (CARB) or meet the EPA requirements of memorandum 1A are legal for highway use in California, New York and Massachusetts and are noted as such.

Mopar Performance Parts Beginning with "770..."

Mopar Basic Limited Warranty: Except as noted below, Mopar Performance Parts beginning with "770..." installed by an authorized FCA US LLC dealership, including Chrysler, Dodge, Jeep®, Ram, FIAT® and Alfa Romeo locations are warranted against defects in workmanship or materials for 24 months/unlimited miles from date of purchase for both parts and labor. Mopar parts sold wholesale to an automotive service facility and installed by a professional technician are warranted against defects in workmanship or materials for 24 months/unlimited miles from date of purchase for parts and up to \$150.00 in labor. Mopar parts and Magneti Marelli® Offered by Mopar® parts sold over-the-counter for vehicle owner or do-it-yourself installation are warranted against defects in workmanship or materials for 24 months/unlimited miles from date of purchase for parts exchange only. Mopar parts and Magneti Marelli® Offered by Mopar® parts replaced on an FCA US LLC vehicle still covered by the FCA US LLC New Vehicle Basic Limited Warranty are warranted for the remainder of the 3-year/36,000-Mile New Vehicle Basic Limited Warranty, or for the Mopar 24-month Basic Limited Warranty from the original installation date, whichever is more favorable to the customer. CUSTOMER MUST KEEP ORIGINAL RECEIPT.

Mopar Performance Parts Beginning with "PW..."

Mopar PW Performance Parts Limited Warranty: Mopar PW Performance Parts are those parts with a part number beginning in "PW" and do not include any other Performance Parts. Except as noted below, Mopar PW Performance Parts installed by an authorized FCA US LLC dealership, including Chrysler, Dodge, Jeep®, Ram, FIAT®, and Alfa Romeo locations are warranted against defects in workmanship or materials for 12 months/12,000 miles for both parts and labor from date of purchase. Mopar PW Performance Parts sold wholesale to an automotive service facility and installed by a professional technician are warranted against defects in workmanship or materials for 12 months/12,000 miles from date of purchase for parts and up to \$150.00 in labor. Mopar PW Performance Parts sold over-the-counter for vehicle owner or do-it-yourself installation are warranted against defects in workmanship or materials for 12 months/12,000 miles from date of purchase for parts exchange only. CUSTOMER MUST KEEP ORIGINAL RECEIPT.

Mopar Performance Parts Beginning with "P51..."

No Parts Warranty – "As Is"

Mopar Performance Parts with part numbers beginning with "P51..." are sold "as is" without warranty coverage of any kind by Mopar unless otherwise noted. Mopar Performance Gen II crate engine assemblies are warranted for "parts only" "as delivered" against defects in materials or workmanship for 90 days from the date of purchase. The following covered components for Mopar Performance engine assemblies, which prove to be defective in materials or workmanship, will be replaced on an exchange basis for 90 days: cylinder blocks and all internal parts; cylinder head assemblies; intake manifold; core plugs; valve covers; oil pan; timing gear and/or chain and cover; water pump; gaskets and seals. The limited warranty period starts on the day the part is sold, as reported on the sales receipt, to the consumer. The limited warranty is not transferable. When the vehicle is sold or otherwise disposed of (i.e., the vehicle is no longer titled in consumer's name), the limited warranty ends. CONSUMER MUST KEEP ORIGINAL RECEIPT.

Implied warranties, such as warranties of merchantability, are excluded. (An implied warranty of merchantability means that the part is reasonably fit for the general purpose for which it was sold.) The entire risk as to quality and performance of such parts is with the buyer. Should such parts prove defective following their purchase, the buyer, and not the manufacturer, distributor or retailer, assumes the entire cost of all necessary servicing or repair. Chrysler, Dodge, Jeep, and Ram vehicle and parts warranties are voided if the vehicle or parts are used for competition. The addition of performance parts does not by itself void a vehicle's warranty. However, added performance parts (parts not originally supplied on the vehicle from the factory) are not covered by the vehicle's warranty, and any failure that they may cause is not covered by the vehicle's warranty.

Mopar Limited Warranties do not cover any incidental or consequential damages connected with the failure of the part under warranty. Such damages include lost time, inconvenience, the loss of the use of your vehicle, the cost of rental cars, gasoline, telephone, travel or lodging; the loss of personal or commercial property; or the loss of revenue. Some states do not allow the exclusion or limitation of incidental or consequential damages, so the above limitations or exclusions may not apply to you.

Your warranties can also be restricted by FCA US LLC, as set forth in the New Vehicle Limited Warranty. If your New Vehicle Limited Warranty is restricted by FCA US LLC, coverage under your Mopar Parts and Accessories Limited Warranties may also be restricted or denied.

Emissions Statement

Mopar Performance Parts customers are responsible for complying with applicable federal, state and local environmental laws and regulations. Many Mopar Performance Parts and components are designed to be equipped in vehicles that are operated not on streets or highways (such as vehicles intended for competition or off-road use). Motor vehicles designed for transport on streets or highways and equipped with such parts may cause such motor vehicles to be out of compliance with applicable emissions standards. It may be a violation of federal and state law to operate such motor vehicles equipped with such parts, except where vehicles equipped with such parts are operated not on streets or highways and where such vehicles lack features customarily associated with safe and practical highway use.

HOW TO OBTAIN WARRANTY SERVICE

Where both parts and labor are covered warranty items, repair will be made by any FCA US LLC dealership at no charge. Where parts only are covered, the FCA US LLC dealership will provide replacement parts at no charge. It is recommended that vehicles be taken to the selling dealership or to the dealer who sold or installed the Mopar part or accessory. However, replacement parts or service under warranty may be obtained from any authorized FCA US LLC dealer.

WHAT IS NOT COVERED:

Mopar warranties cover neither non-FCA US LLC or non-Mopar Parts, components or equipment. These warranties also do not cover the costs of any repairs or adjustments that might be caused by or needed because of the use or installation of any non-FCA US LLC or non-Mopar Parts, equipment, materials or additives.

Mopar warranties do not cover the costs of repairing damage or conditions caused by fire or accident; by abuse, negligence or misuse (for example: driving over curbs, or overloading or racing the vehicle); by improper adjustment, alteration or failure to maintain the vehicle on which parts are installed; or corrosion or damage caused by the use of caustic materials.

Mopar warranties do not cover parts installed on a vehicle used for racing or competition, nor do they cover the repair of any damage or conditions caused by racing or competition.

Mopar warranties do not cover the costs of repairing or replacing any part due to damage caused by poor or improper maintenance, contaminated fuels, or the use of fuels, oils, lubricants or fluids of a type other than those recommended in your Owner's Manual.

Mopar warranties do not cover the costs of damage caused by environmental factors or "acts of God." "Environmental factors" include such items as airborne fallout, chemicals, tree sap, salt, ocean spray and road hazards. "Acts of God" include such things as hail, floods, windstorms, lightning, tornadoes, sandstorms and earthquakes.

Mopar warranties do not apply to parts installed on a vehicle that has had its odometer or emissions systems tampered with or disconnected, or that has been declared a total loss by any insurance company, or is rebuilt after being declared a total loss; or is issued a certificate of title indicating that it is designated as "salvage," "junk," "rebuilt" or words of similar import. FCA US LLC will deny warranty coverage without notice if it finds that a vehicle is ineligible for warranty coverage because it has been salvaged or declared a total loss as set forth in this paragraph.

Mopar Limited Warranties do not cover any incidental or consequential damages connected with the failure of the part under warranty. Such damages include lost time; inconvenience; the loss of the use of your vehicle; the cost of rental cars, gasoline, telephone, travel or lodging; the loss of personal or commercial property; or the loss of revenue. Some states do not allow the exclusion or limitation of incidental or consequential damages, so the above limitations or exclusions may not apply to you.

Your warranties can also be restricted by FCA US LLC, as set forth in the New Vehicle Limited Warranty. If your New Vehicle Limited Warranty is restricted by FCA US LLC, coverage under your Mopar Parts and Accessories Limited Warranties may also be restricted or denied.

OTHER TERMS:

To the extent allowed by law, any implied warranties, including any implied warranty of merchantability or fitness for a particular purpose, are limited in duration to the duration of these express warranties. Some states do not allow limitations on how long an implied warranty lasts, so the above limitations may not apply to you.

These warranties are the only express warranties made by FCA US LLC for Mopar Parts and Accessories. Except where prohibited by law, this warranty is the sole and exclusive remedy.

No person, including a dealer or employee of FCA US LLC, has the authority to vary or change these warranties.

Michigan law governs this warranty to the extent allowed by law. Interpretation of the terms of this warranty must be done using Michigan law.

These limited warranties give you specific legal rights and you may also have other rights which vary from state to state.

NOTE TO DEALER:

MOPAR WARRANTY REGISTRATION AND REPLACEMENT PROCEDURES

The Dealer must notify FCA US LLC whenever you install Accessory Upgrades. Transmit the Option Update via DealerCONNECT Service Tab > Vehicle Option Update.

NOTE TO INTERNATIONAL DEALERS AND DISTRIBUTORS:

The accessories in this catalog were designed, engineered and approved for use in the United States and may not comply fully with regulations in your country. Before ordering these accessories, please confirm that they meet all local regulations. Special discounts, display items, promotional offers and supplier ship direct (SSD) shipments apply only to the United States.

COMPLIANCE STATEMENT

*Jeep® Performance Parts, including Lift Kits, are designated as "Off-Road Only" parts and have not been evaluated or tested for crashworthiness or compliance with safety standards. Jeep® Performance Parts noted as "Off-Road Only" are aftermarket only, may not be installed by a Chrysler, Dodge, Jeep®, Ram or FIAT® dealer on a new vehicle, and may not be sold or financed in conjunction with the sale of a new vehicle. FCA US LLC does not authorize the installation of any part noted as "Off-Road Only" on any vehicle prior to its first retail sale.

**Do not drive your vehicle on public roads with the original equipment doors removed, as you will lose the protection they can provide. Tube Door Kits are intended for use during off-road operation only. All occupants must wear seat belts during off-road operation with doors removed or Tube Door Kits installed.





TO SEE THE FULL LINE OF JEEP® PERFORMANCE PARTS, VISIT [MOPAR.COM/JPP](https://mopar.com/jpp)

©2023 FCA US LLC. All Rights Reserved. Chrysler, Dodge, Jeep, Ram, Mopar, the Jeep grille, Mopar Vehicle Protection, Rubicon, Sahara, Trail Rated, Uconnect, Willys and Wrangler are registered trademarks and Trail Rail is a trademark of FCA US LLC. FIAT is a registered trademark of FCA Group Marketing S.p.A., used under license by FCA US LLC.

Dana and AdvanTEK are registered trademarks and Dana44 is a trademark of Dana Limited. DuraBull is a registered trademark of PPG Industries Ohio, Inc. FOX is a registered trademark of Fox Factory, Inc. Sunrider is a registered trademark of Bestop, Inc. Katzkin and the Katzkin logo are registered trademarks of Katzkin Leather Interiors, Inc. WARN, the WARN logo and Spydura are registered trademarks of Warn Industries.

Do not attempt water fording unless depth is known and consistent with the vehicle's water fording rating in the Owner's Manual. Traversing water can cause damage that may not be covered by the new vehicle warranty. Always off road responsibly in approved areas.

